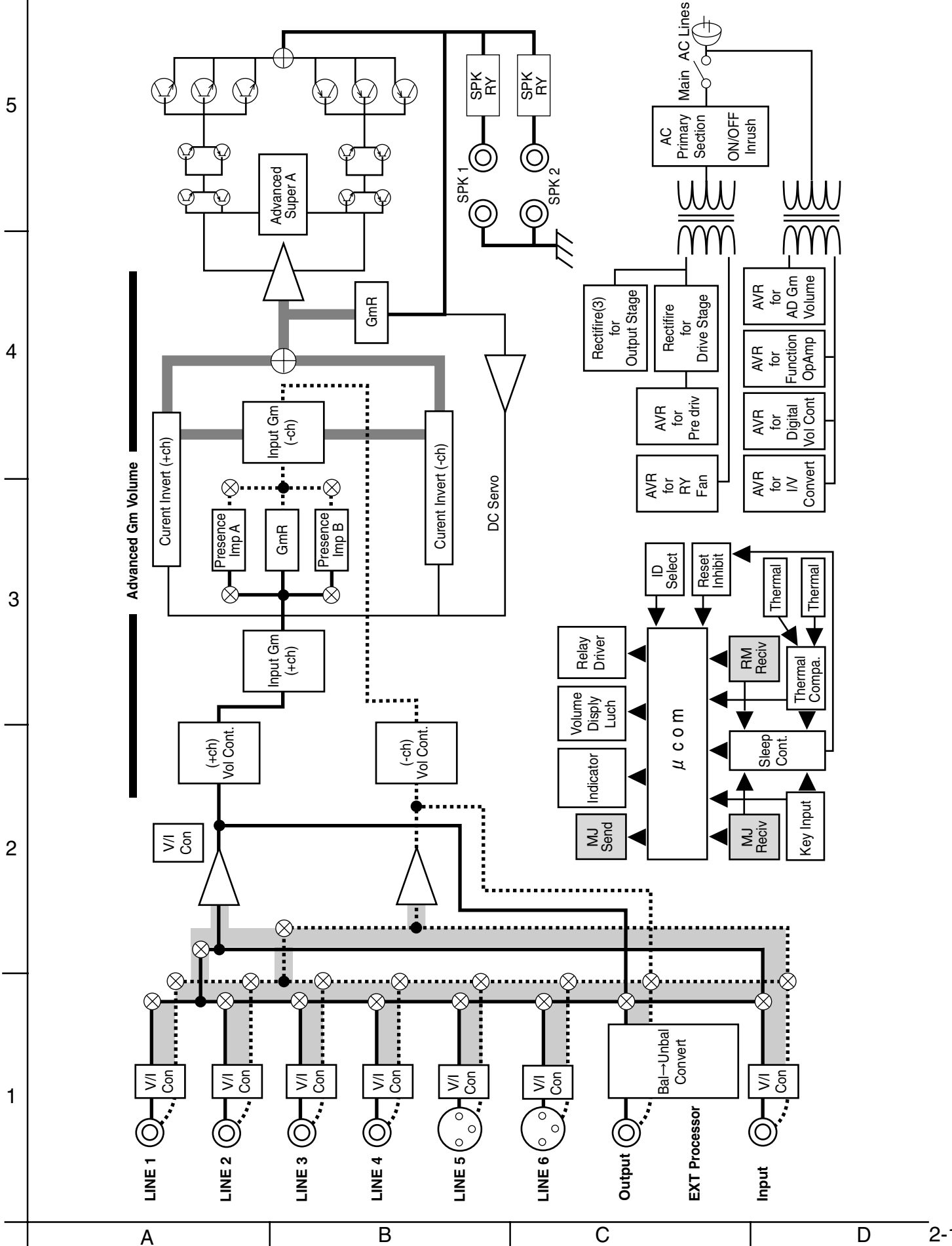


Block diagram



< MEMO >

Standard schematic diagrams

System control section

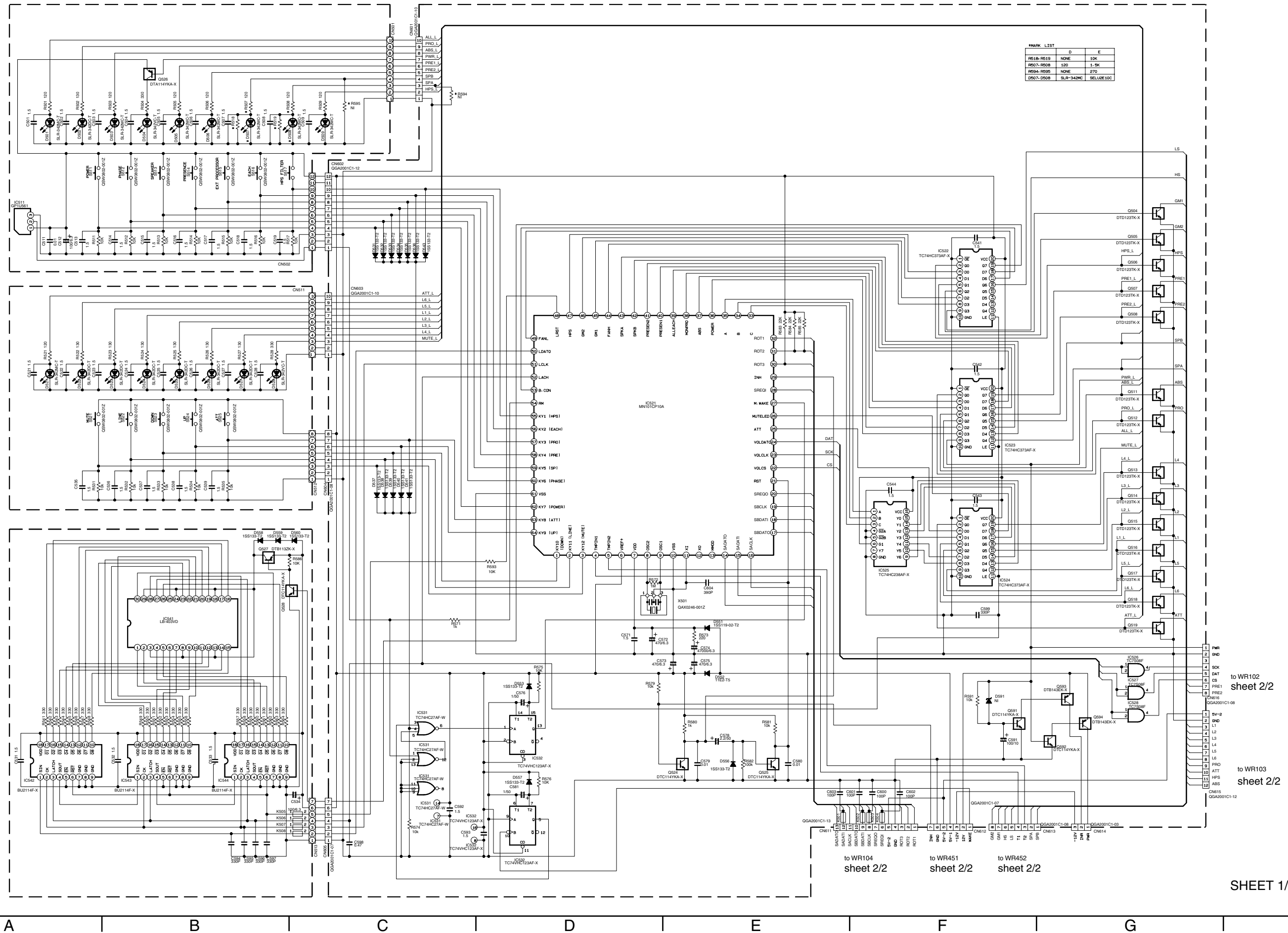
5

4

3

2

1



to WR102 sheet 2/2

to WR103 sheet 2/2

to WR104 sheet 2/2

to WR451 sheet 2/2

to WR452 sheet 2/2

SHEET 1/2

■ Main section (Preamp AMP., Power supply)

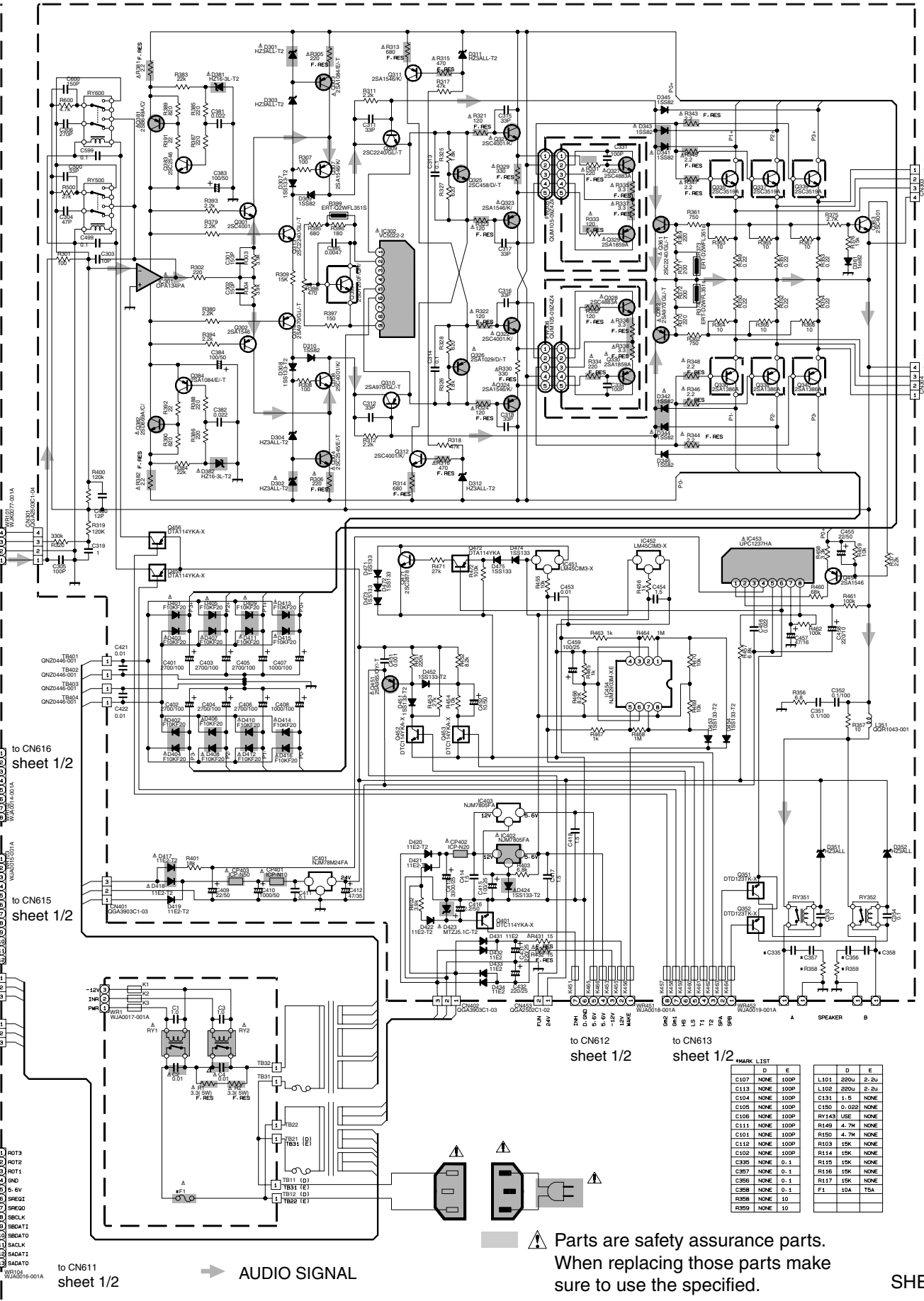
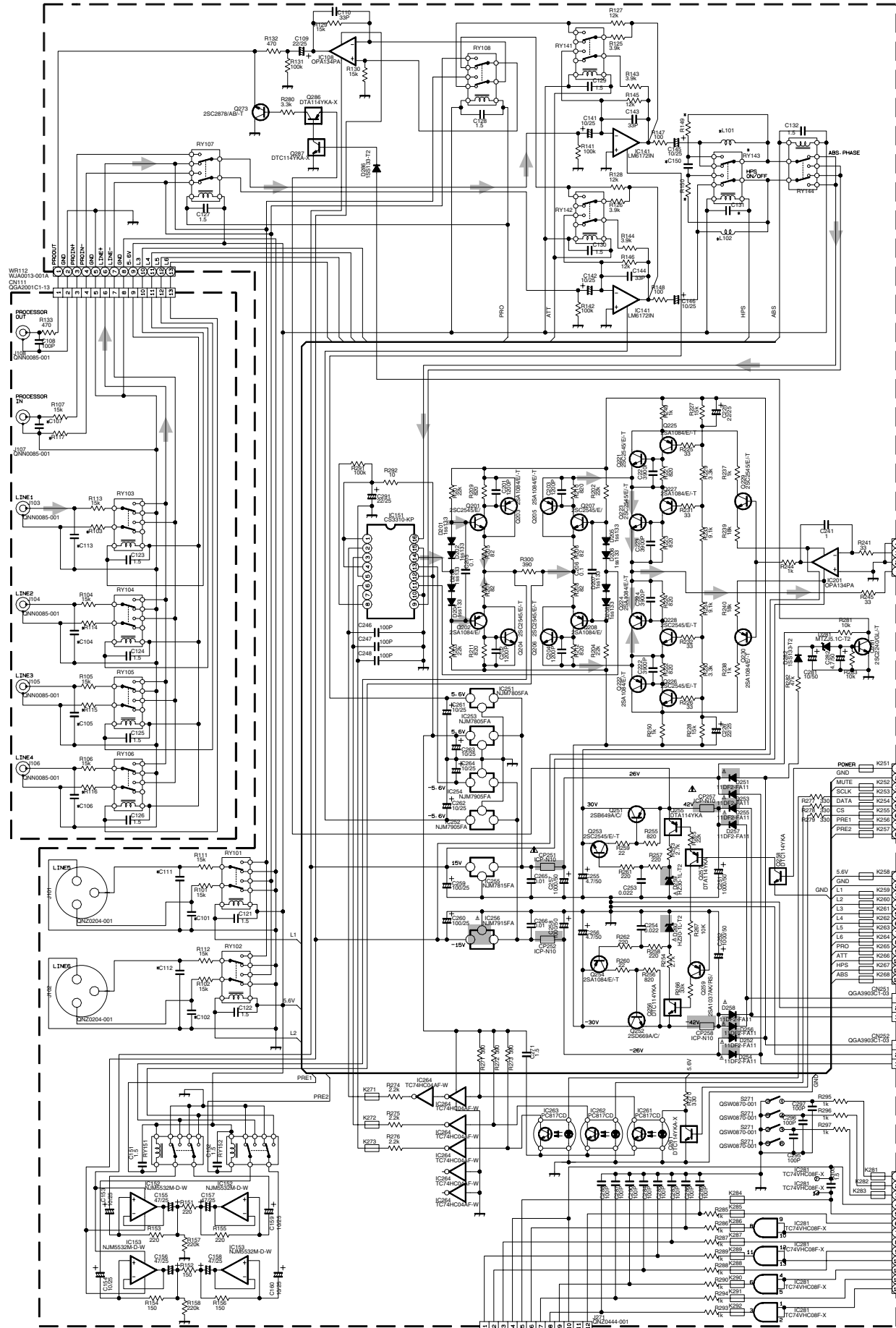
5

4

3

2

1



#	D	E	D	E
C107	NONE	100P	L103	200Ω 0.25W
C113	NONE	100P	L105	200Ω 0.25W
C104	NONE	100P	C131	1.5 NONE
C105	NONE	100P	C150	0.022 NONE
C106	NONE	100P	RY143	USE NONE
C111	NONE	100P	C115	1.5 4.7M NONE
C101	NONE	100P	R150	4.7M NONE
C112	NONE	100P	R103	15K NONE
C102	NONE	100P	R134	15K NONE
C355	NONE	0.1	R115	15K NONE
C357	NONE	0.1	R116	15K NONE
C358	NONE	0.1	R117	15K NONE
R058	NONE	1.0	F1	10A TSA
R059	NONE	10		

⚠ Parts are safety assurance parts. When replacing those parts make sure to use the specified.

to CN611 sheet 1/2

➔ AUDIO SIGNAL

to CN616 sheet 1/2

to CN615 sheet 1/2

to CN612 sheet 1/2

to CN613 sheet 1/2

Printed circuit boards

■ Power AMP. board (Reverse side)

5

4

3

2

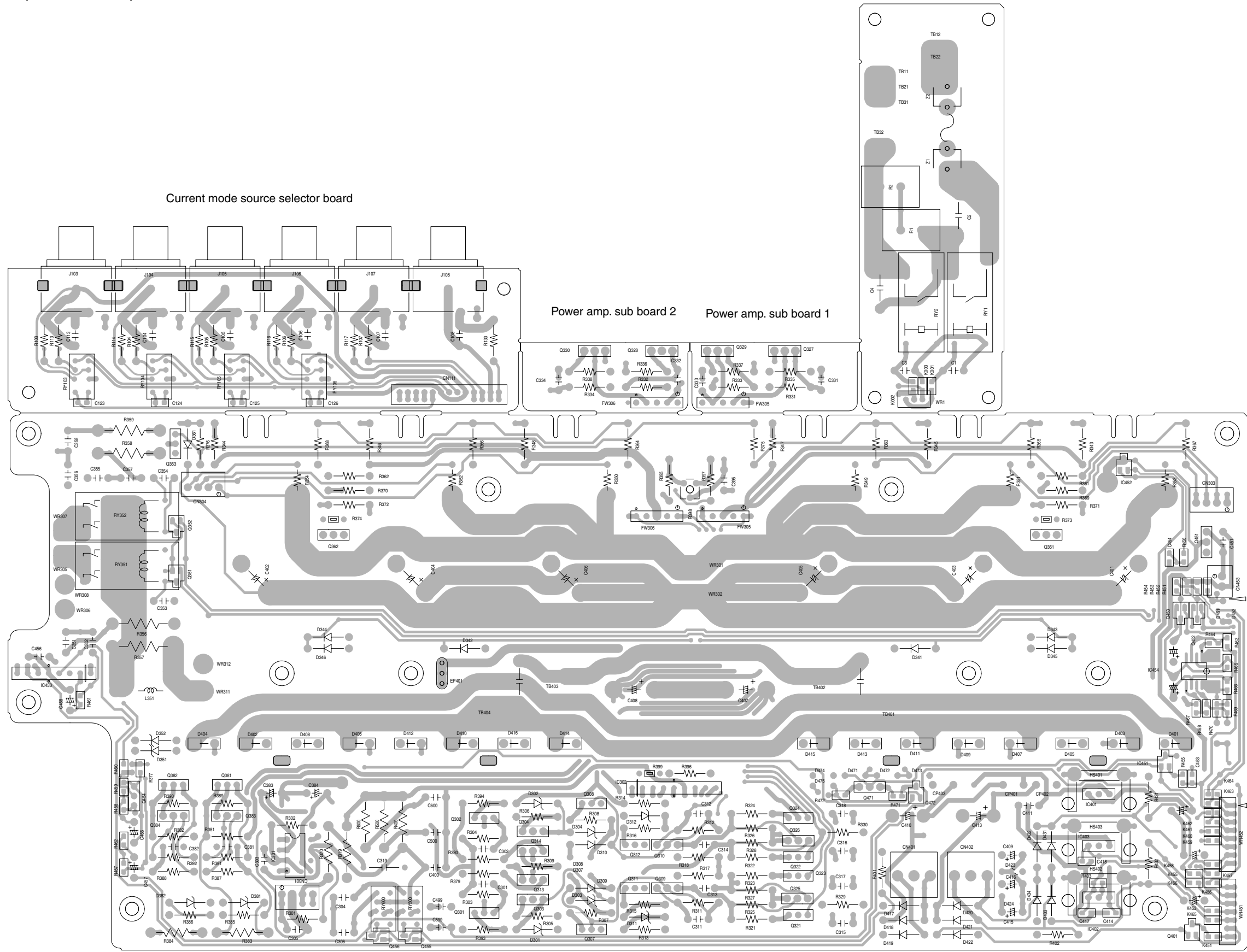
1

Current mode source selector board

Power amp. sub board 2

Power amp. sub board 1

Power switch board



A

B

C

D

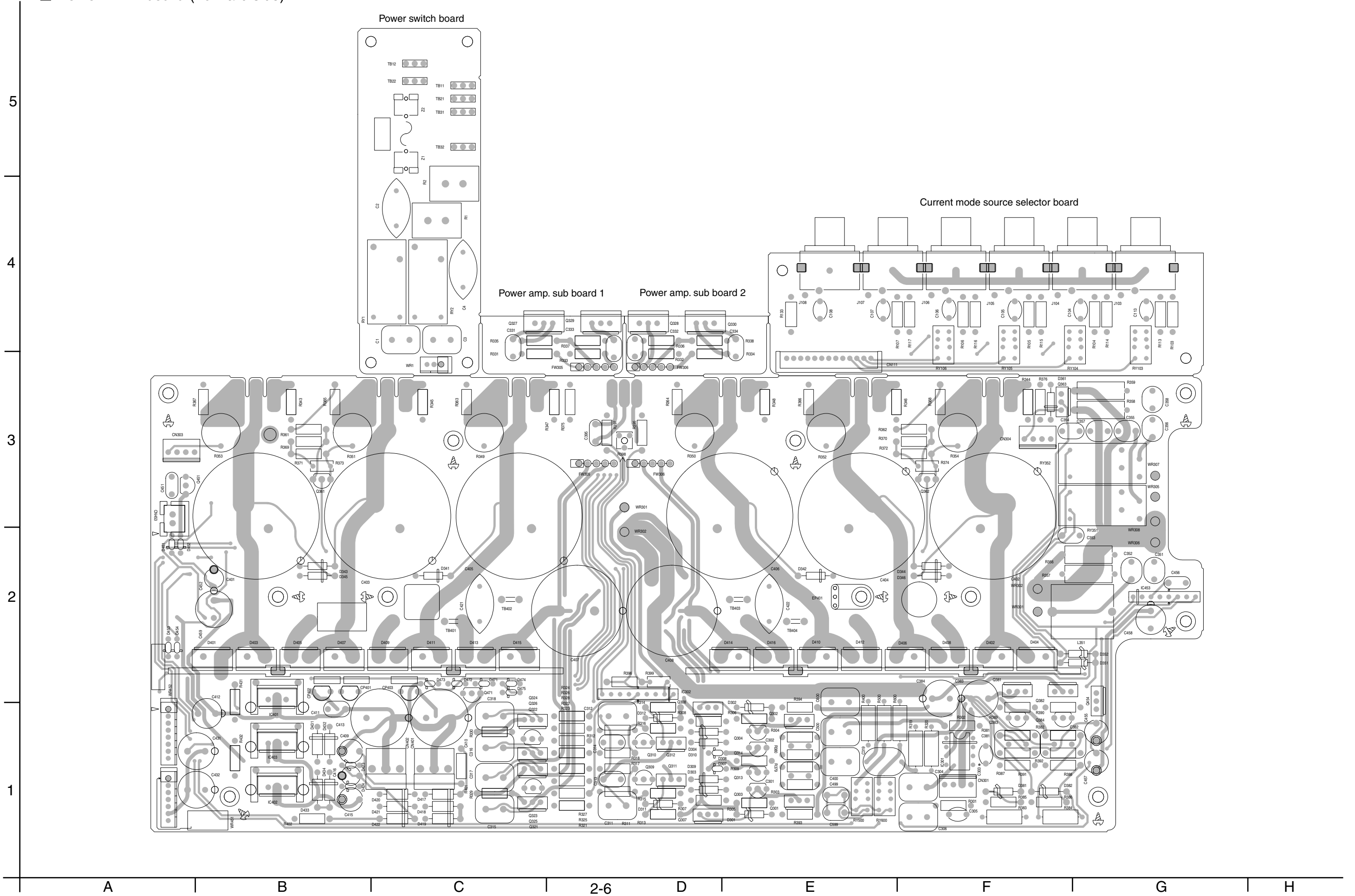
E

F

G

AX-M9000

■ Power AMP. board (Forward side)



■ Signal control board (Reverse side)

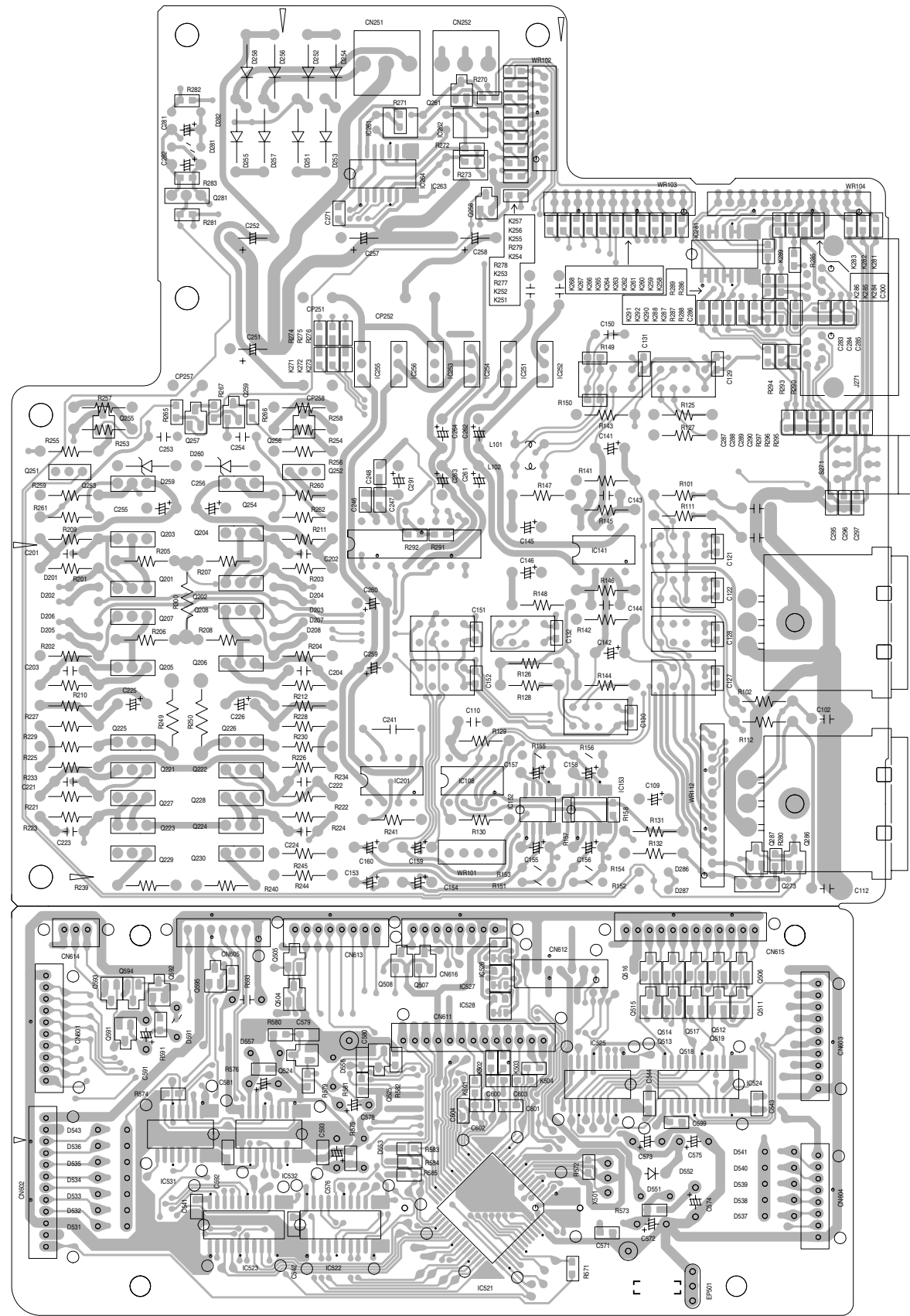
5

4

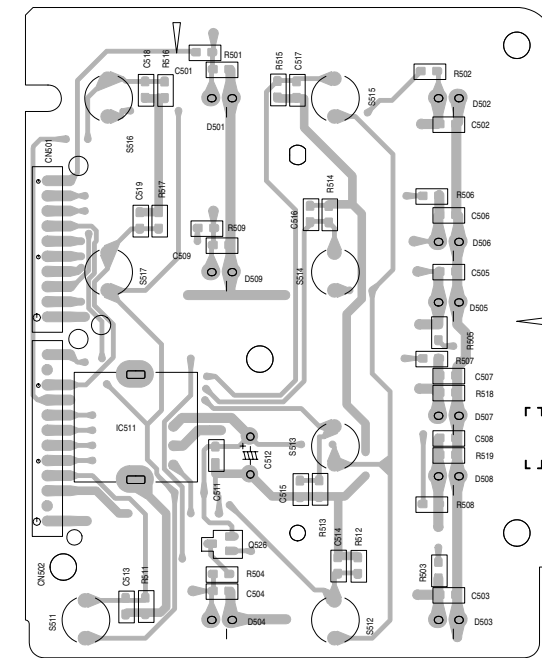
3

2

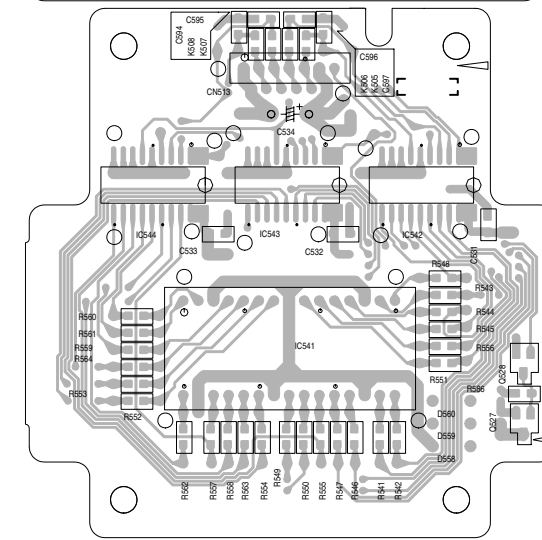
1



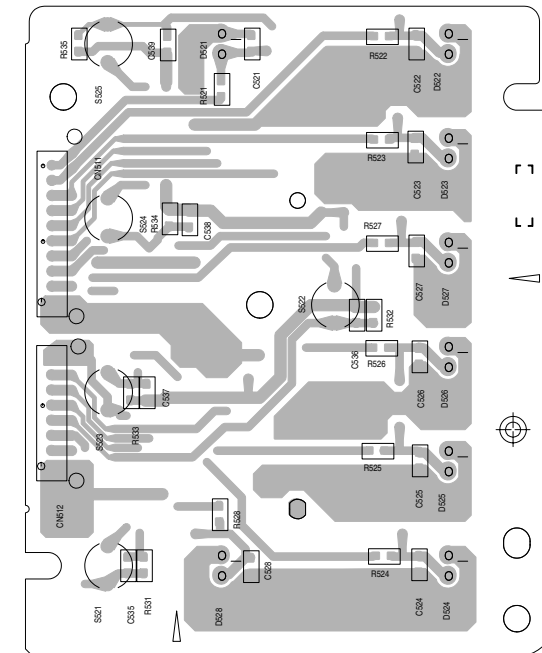
System control board



Operation switch board 1



Display board



Operation switch board 2

A

B

C

D

E

F

G

■ Signal control board (Forward side)

5

4

3

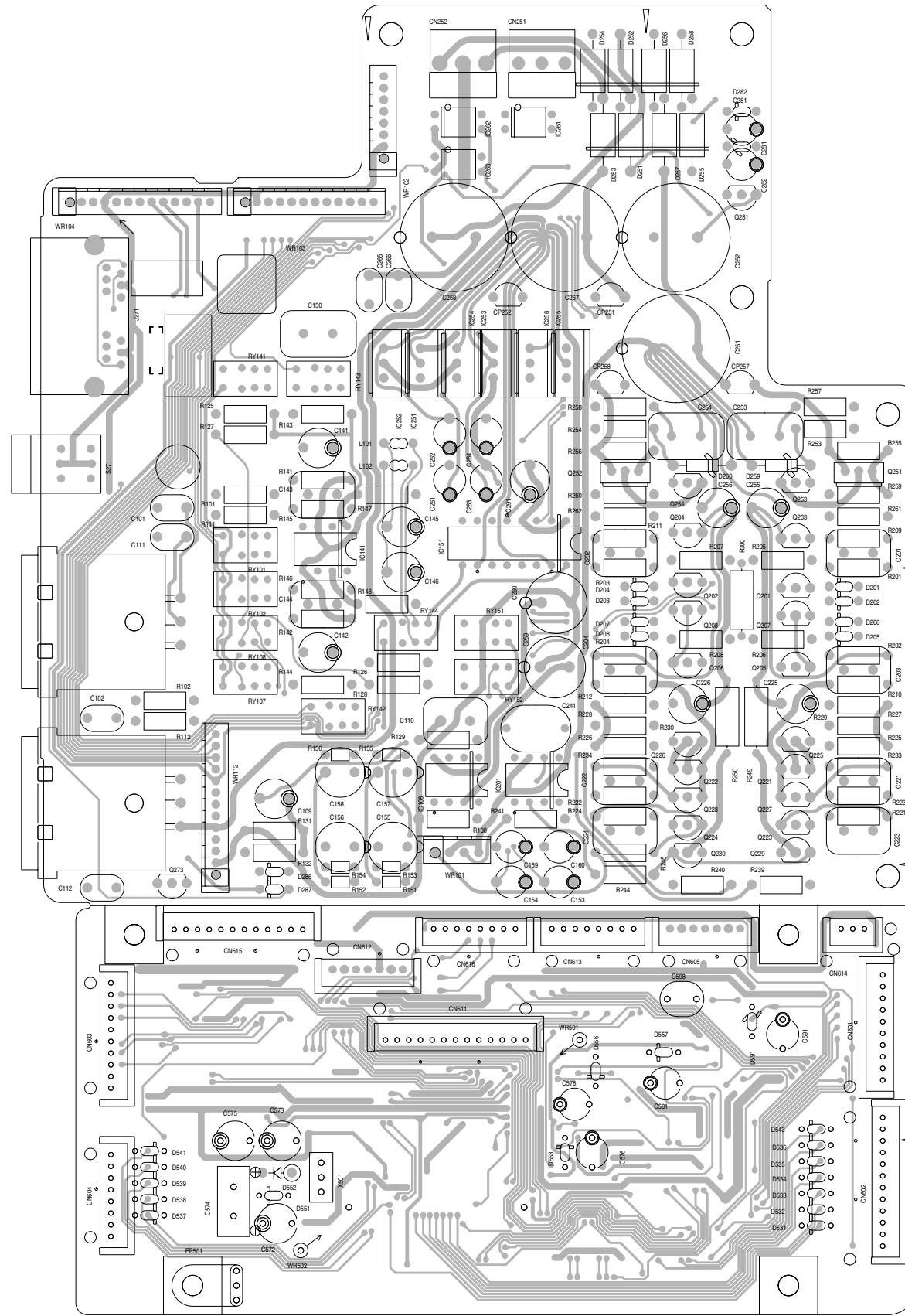
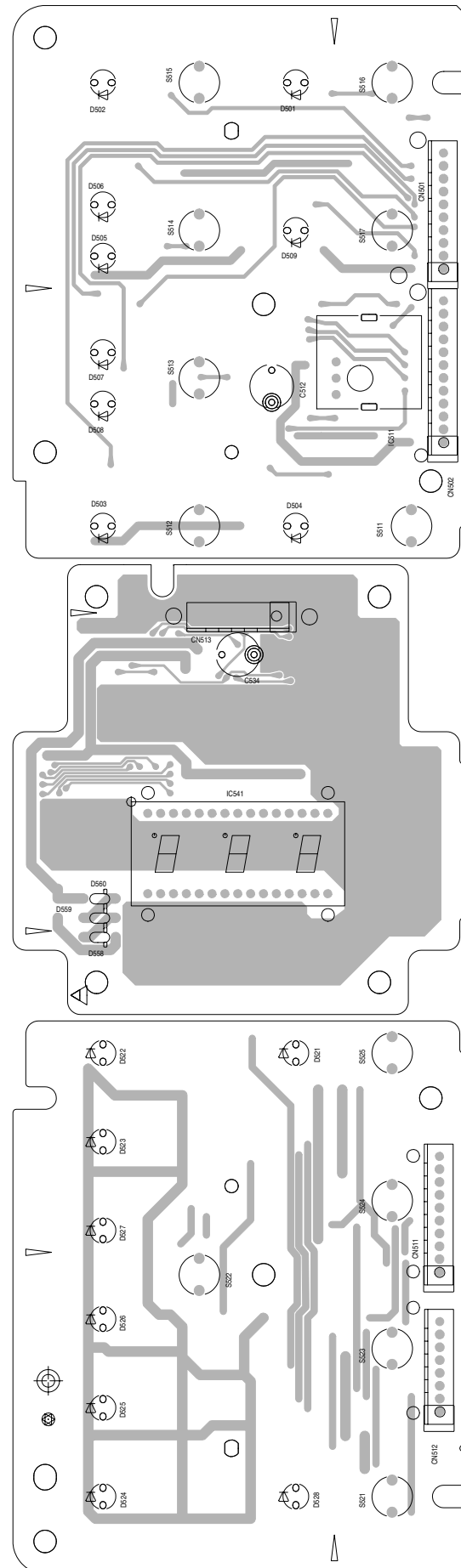
2

1

Operation switch board 1

Display board

Operation switch board 2



System control board

A

B

C

2-8

D

E

F

G

H